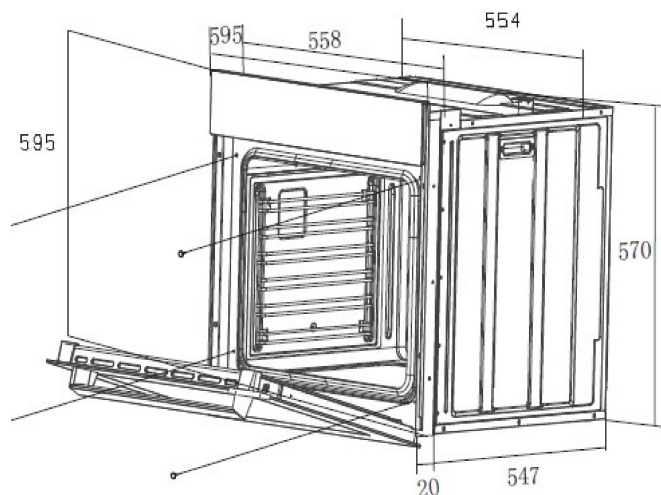


EBO9.3X



| | | | |
|---------------------|--|-----------------------|-----------------|
| technische Daten | Geräteart | Einbaubackofen | |
| | Bedienpanel | Edelstahlblende | |
| | Material Kochfeld | — | |
| | Energieeffizienzklasse A+++ (höchste Effizienz) bis D (geringste Effizienz) | A | |
| | Energieeffizienzindex | TBA | |
| | Energieverbrauch (konventionell) | 0,91 KW/h | |
| | Energieverbrauch (Um-/ Heissluft) | 0,81 KW/h | |
| | Nutzbares Volumen des Garraums | 76,00 Liter | |
| | Anzahl Wärmequellen pro Garraum | 1 (Elektro) | |
| | Größe des Gerätes | groß: Volumen < 76 l | |
| Funktionen Backofen | Auftauen, Heißluft, Ober- und Unterhitze, Ober-Unterhitze mit Umluft, Unterhitze mit Umluft, Oberhitze mit Grill, Oberhitze mit Grill und Umluft | | |
| Ausstattung | Grill | ja | |
| | Umluft | ja | |
| | Heißluft | ja | |
| | Vollglasinnentüre | ja | |
| | Teleskopauszüge | ja | |
| | Timer | ja | |
| | Backofentür/ Glasschichten | schwarzes Glas | 2 |
| | Gehäusekühlung | ja | |
| | Griff und Knöpfe | Aluminium | |
| | Versenkbare Knöpfe | ja | |
| | Energieeffizienzklasse | A | |
| | Geräuschemission | < 51 dB(A) | |
| | max. Leistung/ Spannung/ Frequenz | 2,00 kW | 220-240V - 50Hz |
| | Anzahl Seitenracks / Teleskopauszüge | 1 | 2 |
| | Tropfschale/ Grillrost | 1 | 1 |
| Kabellänge in cm | 150 cm | | |
| Schuko-Stecker | ja | | |
| Logistik | Produktmaße Ofen H x B x T in cm | 59,50 x 59,50 x 56,70 | |
| | Einbautiefe | 54,70 cm | |
| | Verpackungsmaße Ofen H x B x T in cm | 66,00 x 66,50 x 65,20 | |
| | Nettogewicht / Bruttogewicht Ofen | 35,00 Kg | 39,00 Kg |
| | Containermenge | 216 | |
| | Service / Umtausch | 2 Jahre | — |
| | Artikelnummer | 23235 | |
| | EAN-Code | 4030608232356 | |

Product Information Sheet

COMMISSION DELEGATED REGULATION (EU) 2019/2016

Supplier's name or trademark: Stengel

Supplier's address: Parkring 6, 85748 Garching , DE

Model identifier: KS 5002 EU

Type of refrigerating appliance:

| | | | |
|----------------------|----|--------------|--------------|
| Low-noise appliance: | No | Design type: | freestanding |
|----------------------|----|--------------|--------------|

| | | | |
|-------------------------|----|--------------------------------|-----|
| Wine storage appliance: | No | Other refrigerating appliance: | Yes |
|-------------------------|----|--------------------------------|-----|

General product parameters:

| Parameter | | Value | Parameter | Value |
|---|--------|---|-------------------------------------|-------|
| Overall dimensions (millimetre) | Height | 820 | Total volume (dm ³ or l) | 114 |
| | Width | 497 | | |
| | Depth | 579 | | |
| EEI | 100 | Energy efficiency class | E | |
| Airborne acoustical noise emissions (dB(A) re 1 pW) | 41 | Airborne acoustical noise emission class | C | |
| Annual energy consumption (kWh/a) | 139 | Climate class: | extended temperate, subtropical | |
| Minimum ambient temperature (°C), for which the refrigerating appliance is suitable | 10 | Maximum ambient temperature (°C), for which the refrigerating appliance is suitable | 38 | |
| Winter setting | Yes | | | |

Compartment Parameters:

| Compartment type | Compartment parameters and values | | | | |
|------------------|-----------------------------------|---|--|----------------------------|--|
| | | Compartment volume (dm ³ or l) | Recommended temperature setting for optimised food storage (°C) These settings shall not contradict the storage conditions set out in Annex IV, Table 3 | Freezing capacity (kg/24h) | Defrosting type (auto-defrost=A, manual defrost=M) |
| Pantry | No | - | - | - | - |
| Wine storage | No | - | - | - | - |
| Cellar | No | - | - | - | - |
| Fresh food | Yes | 100.3 | 4 | - | A |
| Chill | No | - | - | - | - |

| | | | | | |
|--|-----|----|--|-----|---|
| 0-star or ice-making | No | - | - | - | - |
| 1-star | No | - | - | - | - |
| 2-star | No | - | - | - | - |
| 3-star | No | - | - | - | - |
| 4-star | Yes | 14 | -18 | 2.6 | M |
| 2-star section | No | - | - | - | - |
| Variable temperature compartment | - | - | - | - | - |
| For 4-star compartments | | | | | |
| Fast freeze facility | | | Yes | | |
| Light source parameters: | | | | | |
| Type of light source | | | Lighting technology used: LED; Non-directional or directional: NDLS; Mains or non-mains: NMLS; Connected light source (CLS): No; Colour-tuneable light source: No; Envelope: -; High luminance light source: No; Anti-glare shield: No; Dimmable: No | | |
| Energy efficiency class | | | F | | |
| Minimum duration of the guarantee offered by the manufacturer: 24 months | | | | | |
| Additional information: | | | | | |
| Weblink to the manufacturer's website, where the information in point4(a) Annex of Commission Regulation (EU) 2019/2019 is found: http://www.vestel-germany.de | | | | | |